

GLAMOR S

PURE SINEWAVE PROTECTION FOR IT LOADS

600VA ~ 2000VA

Thanks to its pure sinewave output, GLAMOR S is the best choice for small sensitive IT loads with PWM technology.



PERFECT FOR:



Routers



Gaming



Shops



Sensitive IT loads

FEATURES



- Pure sinewave output
- Increases servers power supply life span
- Integrated voltage regulator (AVR) for sags, spikes, under and over voltages
- Cold start to switch on the UPS without mains
- Wide input voltage and frequency range, for a longer battery life
- Easy battery replacement
- Automatic battery test
- Smart battery management system enhancing battery life
- Monitoring Software (Emily) with event-data log, to protect your PC by shutdown
- USB connection port and RJ45 surge protection for telephone lines
- 2 years EU warranty on UPS

OPTIONS



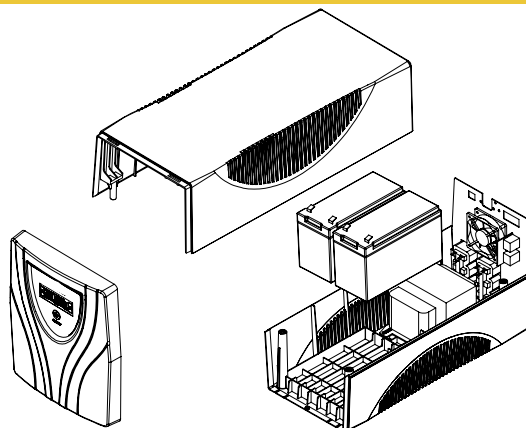
- Communication cable
- RS232 Port
- Many front and back panel customization possibilities

WHAT'S IN THE BOX



- Input power cable
- Output power cable
- USB cable

EASY BATTERY REPLACEMENT



SPECIFICATIONS

MODEL		GLAMOR S 600	GLAMOR S 800	GLAMOR S 1000	GLAMOR S 1500	GLAMOR S 2000	
INPUT	Voltage Range	165Vac~290Vac					
	Frequency Range	45~65Hz (Auto sensing)					
	Phase	Single Phase					
OUTPUT	Capacity	360W	480W	700W	1050W	1400W	
	Output Voltage (Battery mode)	220/230/240Vac ±10%					
	Frequency Range (Battery mode)	50/60Hz ±1Hz					
	Transfer Time	2~6ms (typical)					
	Output Waveform	SineWave					
BATTERY	Type & Number	12V/7Ah x 1	12V/9Ah x 1	12V/7Ah x 2	12V/9Ah x 2	12V/9Ah x 2	
	Recharge Time (to 90%)	4~6 hours					
DISPLAY	LCD	AC mode, AVR mode, battery mode, battery level, battery voltage, load level, input voltage, output voltage, fault and battery weak					
ALARM	Audible or Visual	Battery mode/ battery low/ overload/ system fault					
PROTECTION	Full protection	Overload, short circuit, discharge, overcharge and RJ-11/RJ-45 surge protection					
FUNCTION	DC Start	Yes					
	Plug-in charging	Yes					
PHYSICAL	Dimension (WxHxD, mm)	116 x 170 x 309			165 x 198 x 393		
	Net Weight (kg)	4	5.5	9.3	12.4	12.6	
ENVIRONMENT	Operation Temperature	0~40°C					
	Operation humidity	0%~90% (without condensing)					
	Altitude	1000m without derating					
	Noise Level	≤ 40dB			≤ 45dB		
INTERFACE	Interface	USB (optional RS232)					
	Compatible platforms	Microsoft Windows series, Linux, Mac					
STANDARDS & CERTIFICATIONS	Safety & EMC	IEC EN 62040-1, IEC EN 62040-2					
	Performance	IEC EN 62040-3					
	Marks	CE					
BACK PANELS	<p>GRS 600 ~ 2000VA</p> 